

1

2

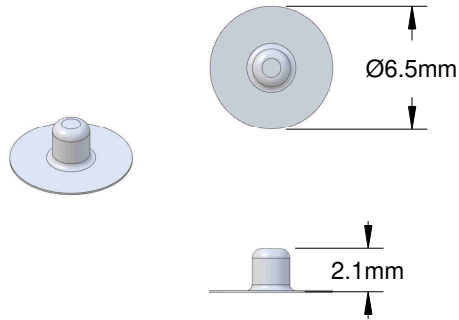
3

4

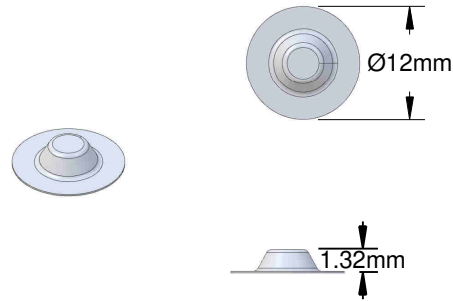
5

6

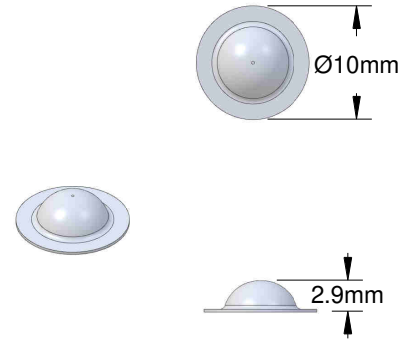
UTP1074
(20007-097)
0.15mm Thick



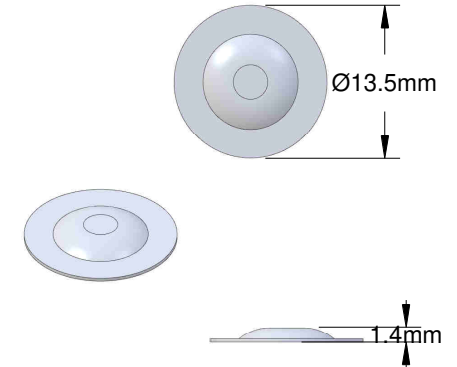
MC007
(65001-763)
0.2mm Thick



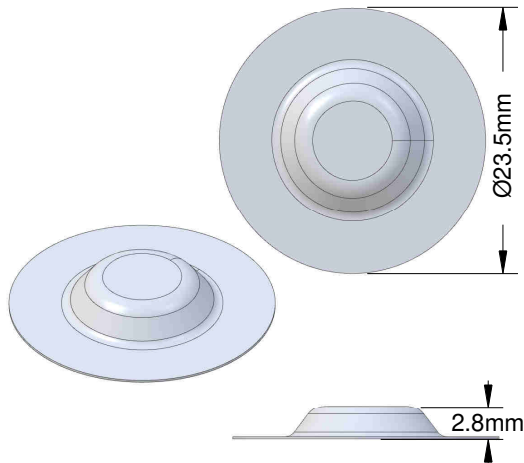
NCB107
0.2mm Thick



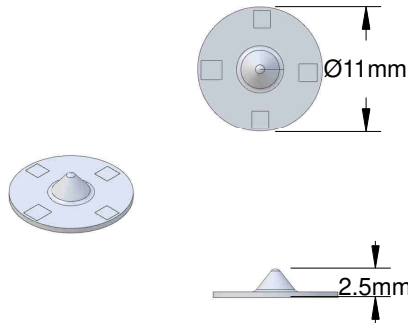
NCB258
0.2mm Thick



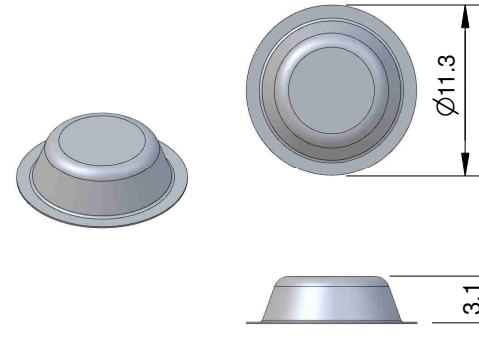
NCB265A
0.2mm Thick



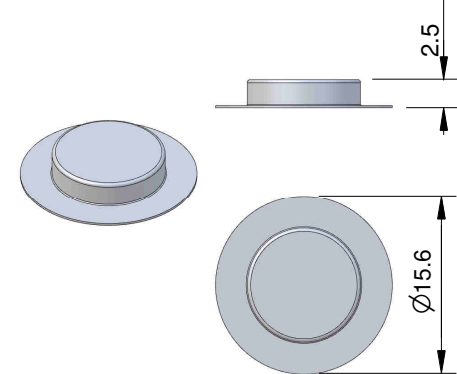
MC010
(20007-096)
0.4mm Thick



Raised Button Nipple
(20008-710)
0.1mm Thick



UTP0252-2.4
(20008-712)
0.127mm Thick



A

B

C

D

A

B

C

D



This drawing and the designs so represented are the copyright property of Master Instruments Pty Ltd. The drawing shall not be copied, loaned or issued without the express written permission of a duly authorised representative of Master Instruments Pty Ltd.

PACK VOLTAGE -		NIPPLES								-													
PACK CAPACITY -																							
NO. OF CELLS -		-				-				11/03/2016													
NO. SERIES -																							
NO. PARALLEL -		RevNo		Update		Dwg By		Chemistry		Page		Power		Sample		Jig		Charger		Checked By		Approved By	
		0		BM		-		-		-		-		-		-							

1

2

3

4

5

6