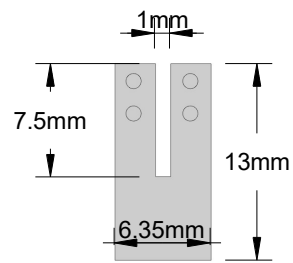


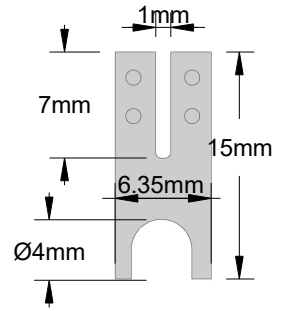
1 2 3 4 5 6

A

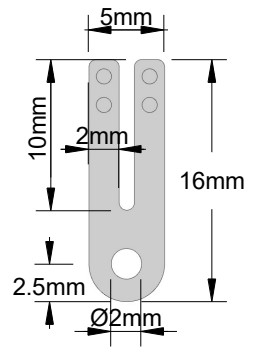
NCB251
0.25mm Thick



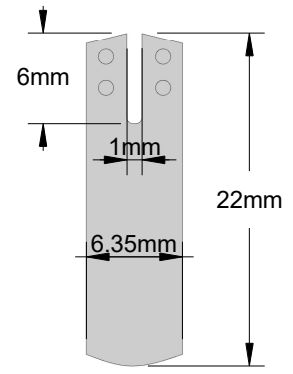
NCB354
0.25mm Thick



YCP-002
(20008-577)
0.3mm Thick

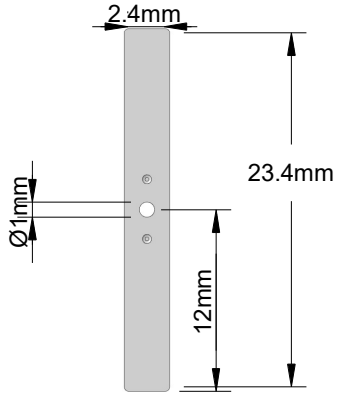


NCB173
0.25mm Thick

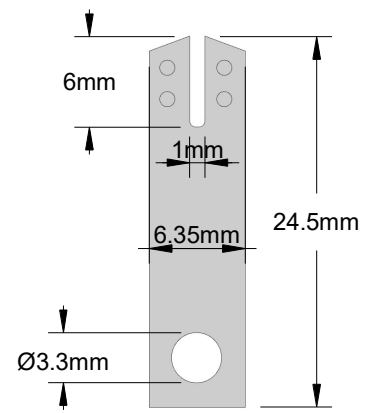


B

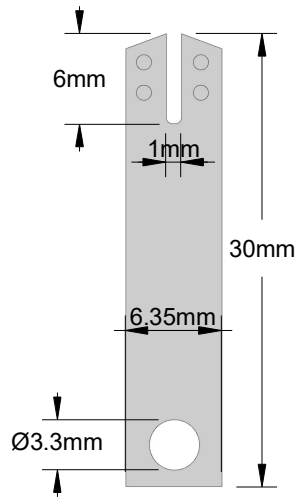
14049
(20008-550)
0.2mm Thick



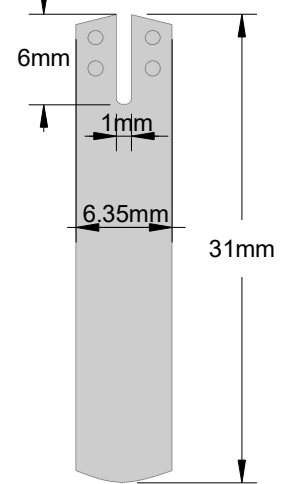
NCB267
0.25mm Thick



NCB268
0.2mm Thick



NCB210
0.25mm Thick



C

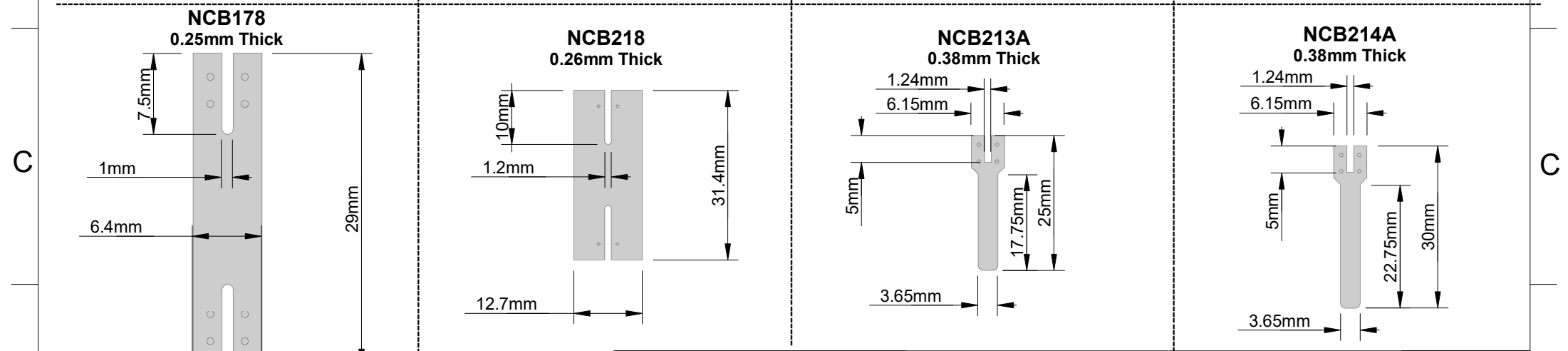
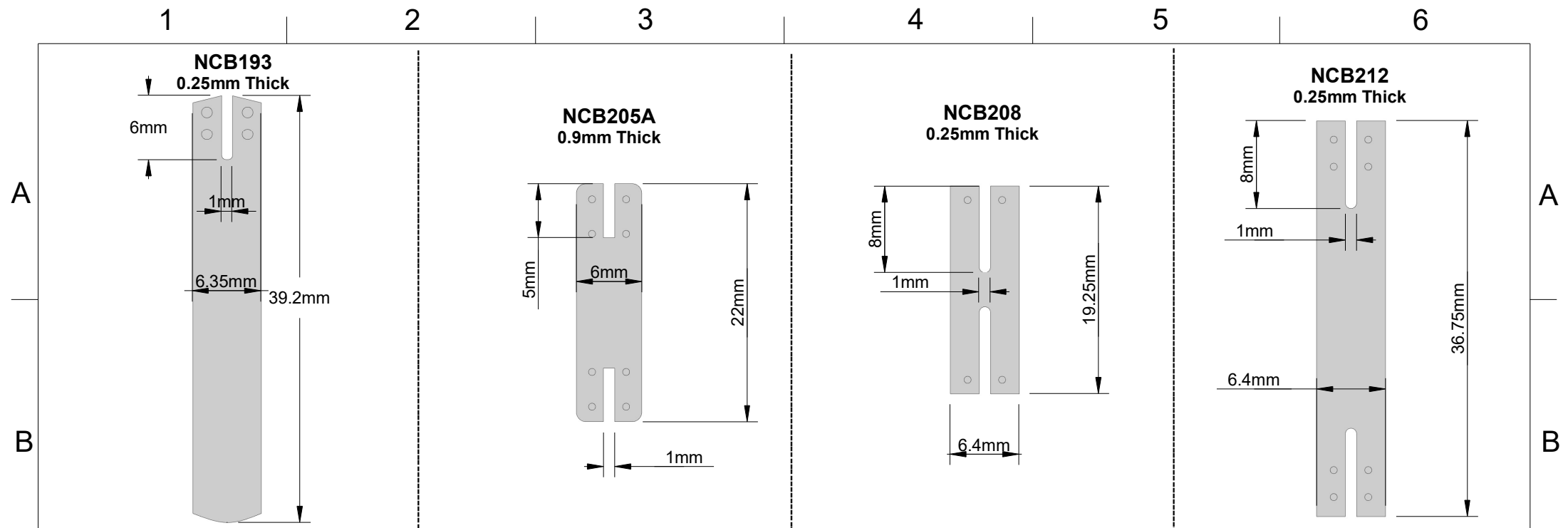
D



This drawing and the designs so represented are the copyright property of Master Instruments Pty Ltd. The drawing shall not be copied, loaned or issued without the express written permission of a duly authorised representative of Master Instruments Pty Ltd.

PACK VOLTAGE -		DIMPLE TAGS								-	
PACK CAPACITY -											
NO. OF CELLS -		-								22/02/2024	
NO. SERIES -											
NO. PARALLEL -		-								-	
RevNo	Update	Dwg By	Chemistry	Page	Power	Sample	Jig	Charger	Checked By	Approved By	
0		BM	-		-	-	-	-			

1 2 3 4 5 6



This drawing and the designs so represented are the copyright property of Master Instruments Pty Ltd. The drawing shall not be copied, loaned or issued without the express written permission of a duly authorised representative of Master Instruments Pty Ltd.

PACK VOLTAGE -		DIMPLE TAGS								-	
PACK CAPACITY -											
NO. OF CELLS -											
NO. SERIES -											
NO. PARALLEL -		-				-				22/02/2024	
RevNo	Update	Dwg By	Chemistry	Page	Power	Sample	Jig	Charger	Checked By	Approved By	
0		BM	-		-	-	-	-			

1

2

3

4

5

6

A

A

B

B

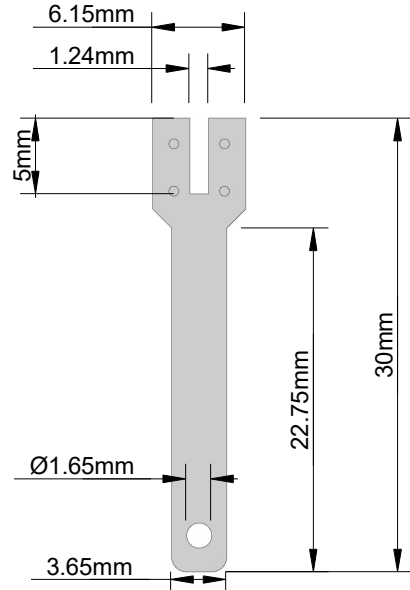
C

C

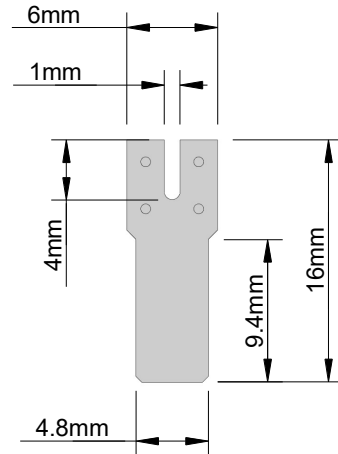
D

D

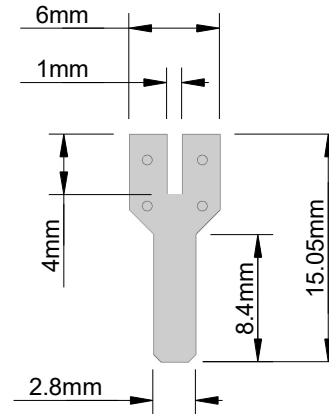
NCB214AH
0.38mm Thick



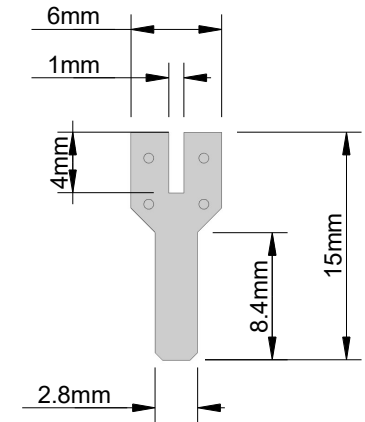
NCB197
0.22mm Thick



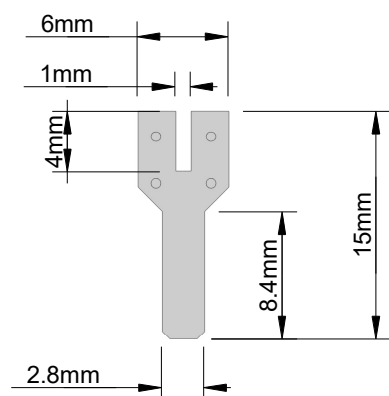
NCB197A
0.5mm Thick



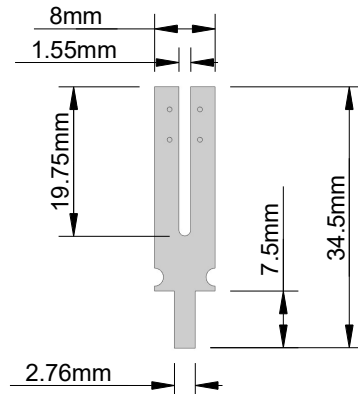
NCB200A
0.22mm Thick



NCB200
0.22mm Thick



SPADE TERMINAL
NCB198B
0.52mm Thick



This drawing and the designs so represented are the copyright property of Master Instruments Pty Ltd. The drawing shall not be copied, loaned or issued without the express written permission of a duly authorised representative of Master Instruments Pty Ltd.

PACK VOLTAGE -		DIMPLE TAGS								-													
PACK CAPACITY -																							
NO. OF CELLS -		-				-				22/02/2024													
NO. SERIES -																							
NO. PARALLEL -		RevNo		Update		Dwg By		Chemistry		Page		Power		Sample		Jig		Charger		Checked By		Approved By	
		0				BM		-		-		-		N/A		N/A		N/A					

1

2

3

4

5

6