

1

2

3

4

5

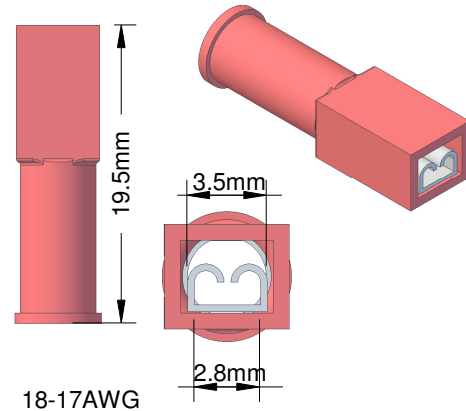
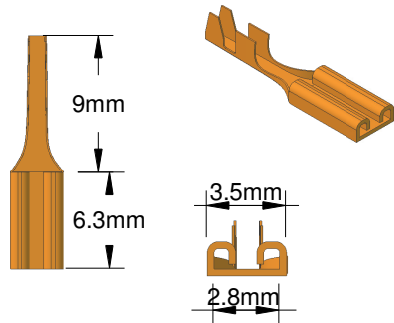
6

**2.8mm FEMALE SPADE
(20008-843D)**

**2.8mm FEMALE SPADE
(20008-802)**

A

A



B

B

C

C

D

D



This drawing and the designs so represented are the copyright property of Master Instruments Pty Ltd. The drawing shall not be copied, loaned or issued without the express written permission of a duly authorised representative of Master Instruments Pty Ltd.

PACK VOLTAGE -		CRIMPING SPADE TERMINALS				-				
PACK CAPACITY -										
NO. OF CELLS -										
NO. SERIES -		-		-		11/03/2016				
NO. PARALLEL -										
RevNo	Update	Dwg By	Chemistry	Page	Power	Sample	Jig	Charger	Checked By	Approved By
0		BM	-		-	-	-	-		

1

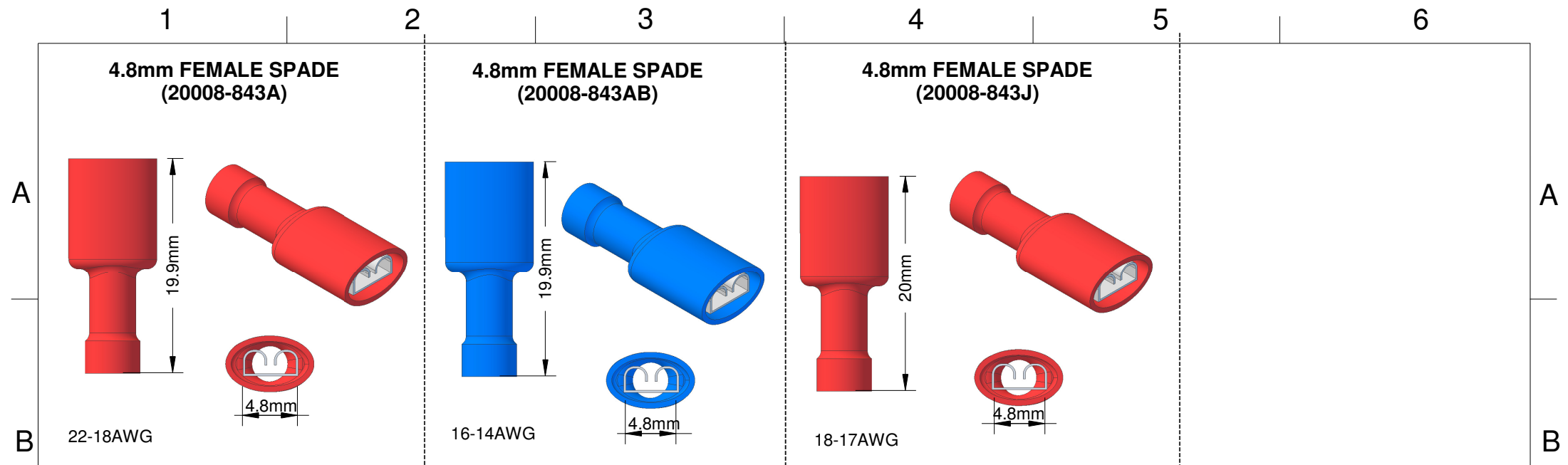
2

3

4

5

6



This drawing and the designs so represented are the copyright property of Master Instruments Pty Ltd. The drawing shall not be copied, loaned or issued without the express written permission of a duly authorised representative of Master Instruments Pty Ltd.

PACK VOLTAGE -		CRIMPING SPADE TERMINALS				-				
PACK CAPACITY -										
NO. OF CELLS -										
NO. SERIES -		-		-		11/03/2016				
NO. PARALLEL -										
RevNo	Update	Dwg By	Chemistry	Page	Power	Sample	Jig	Charger	Checked By	Approved By
0		BM	-		-	-	-	-		

	1	2	3	4	5	6	
A	6.35mm FEMALE SPADE (20008-843RB) 22mm 6.35mm	6.35mm FEMALE SPADE (20008-843R) 22mm 6.35mm	6.35mm FEMALE SPADE (20008-843) 22mm 6.35mm	6.35mm MALE SPADE (20008-843E) 6.35mm 11.6mm 11mm	A	B	
B	16-14AWG	22-18AWG	22-16AWG	22-16AWG	B	B	

C	6.35mm FEMALE SPADE (20008-843AMP) 23.8mm 6.35mm	6.35mm MALE SPADE (20008-818C) 24mm 6.35mm 0.8mm	PIGGY BACK SPADE (20008-843PB) 8.9mm 6.35mm 6.35mm	C	D	
D	12-10AWG	18-17AWG	19-17AWG	D	D	



This drawing and the designs so represented are the copyright property of Master Instruments Pty Ltd. The drawing shall not be copied, loaned or issued without the express written permission of a duly authorised representative of Master Instruments Pty Ltd.

PACK VOLTAGE -		CRIMPING SPADE TERMINALS								-	
PACK CAPACITY -											
NO. OF CELLS -		-								-	
NO. SERIES -											
NO. PARALLEL -		-								11/03/2016	
RevNo	Update										
0		BM	-		-	-	-	-			

1

2

3

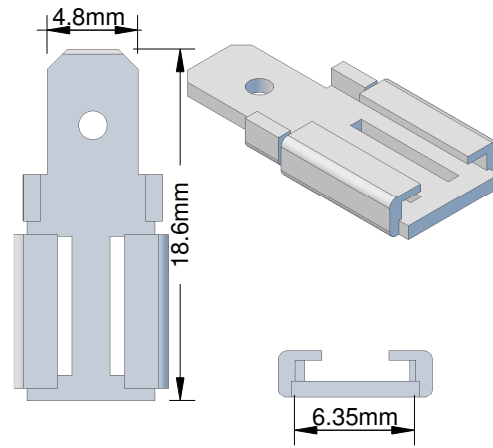
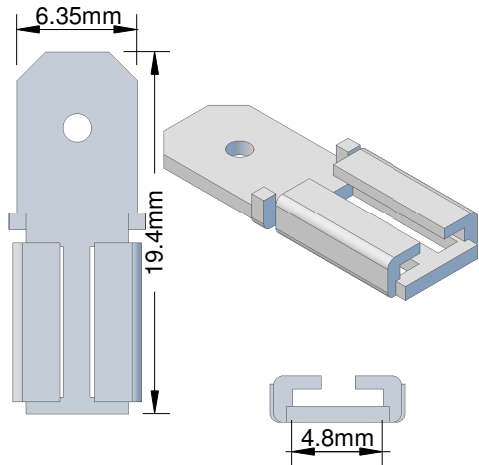
4

5

6

**4.8mm TO 6.3mm ADAPTOR
(20008-843F1TOF2)**

**6.3mm TO 4.8mm ADAPTOR
(20008-843F1TOF2)**



A

A

B

B

C

C

D

D



This drawing and the designs so represented are the copyright property of Master Instruments Pty Ltd. The drawing shall not be copied, loaned or issued without the express written permission of a duly authorised representative of Master Instruments Pty Ltd.

PACK VOLTAGE -		CRIMPING SPADE TERMINALS								-													
PACK CAPACITY -																							
NO. OF CELLS -																							
NO. SERIES -		-				-				11/03/2016													
NO. PARALLEL -		RevNo		Update		Dwg By		Chemistry		Page		Power		Sample		Jig		Charger		Checked By		Approved By	
		0		BM		-						-		-		-							

1

2

3

4

5

6

1

2

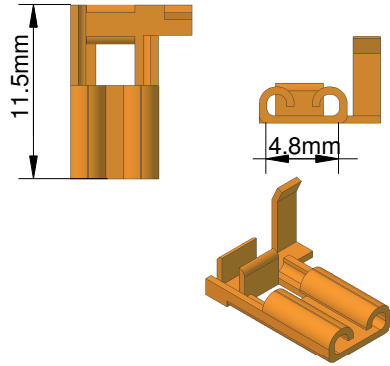
3

4

5

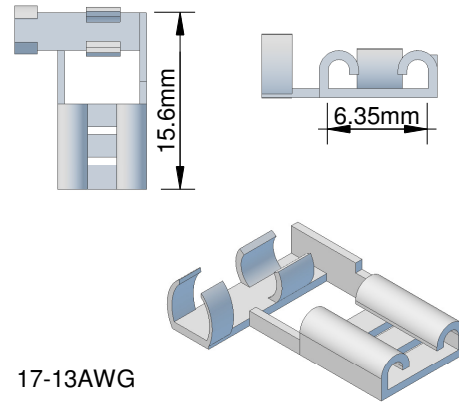
6

**RIGHT ANGLE SPADE
(20008-843G)**



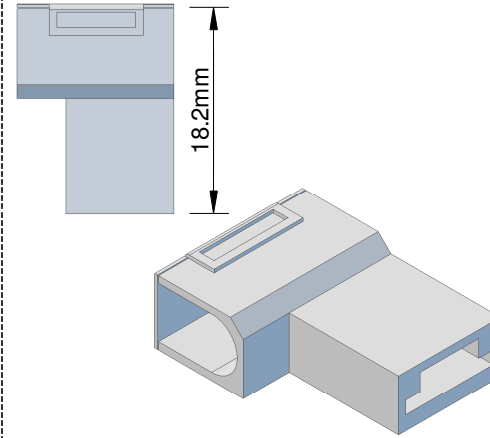
21-17AWG

**RIGHT ANGLE SPADE
(20008-843B)**

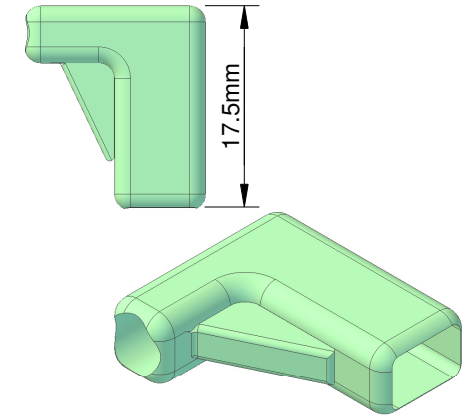


17-13AWG

**RIGHT ANGLE SPADE COVER
Suits 6.35mm Spade Terminal
(20008-843C)**



**RIGHT ANGLE SPADE COVER
Suits 6.35mm Spade Terminal
(20008-843H)**



A

B

C

D

A

B

C

D



This drawing and the designs so represented are the copyright property of Master Instruments Pty Ltd. The drawing shall not be copied, loaned or issued without the express written permission of a duly authorised representative of Master Instruments Pty Ltd.

PACK VOLTAGE -		CRIMPING SPADE TERMINALS								-	
PACK CAPACITY -											
NO. OF CELLS -											
NO. SERIES -											
NO. PARALLEL -		-		-		-		-		11/03/2016	
RevNo	Update	Dwg By	Chemistry	Page	Power	Sample	Jig	Charger	Checked By	Approved By	
0		BM	-		-	-	-	-			

1

2

3

4

5

6